

New generation large character
drop-on-demand inkjet printer

Image 4020

4020



A **DOVER** COMPANY

YOU MAKE IT, **WE MARK IT**



Printing possibilities

- Up to 4 print heads per controller
- Individual printing parameters possible for each head
- 7 nozzle print head for 1 text line or 16 nozzle print head for 1 to 2 text lines
- Print heights from 8 to 64 mm (3/8" to 2 1/2")
- Prints text, time, date, 2 expiration dates, shift code, 3 counters (automatic numbering), user prompt, external variables, bitmap files
- Prints more than 22,000 Unicode characters (Arabic, Cyrillic, Chinese, Greek, Hebrew, Kanji, Katakana, Latin)
- Message length up to 5000 characters
- Character width adjustment
- Print delay for message placement
Easy print positioning on cases
- Top, side, opposite side and bottom printing
- Up to 20 mm (5/8") between the print head and the object
- Standard or upside down printing
- Print direction from right or left
- Print speed up to 90 m/min (295 fpm)

Operations

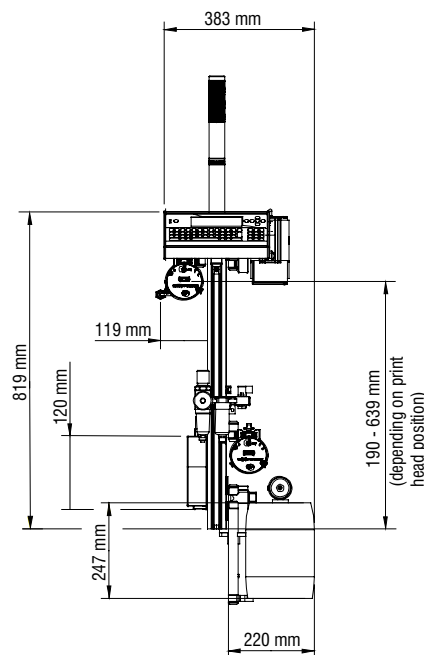
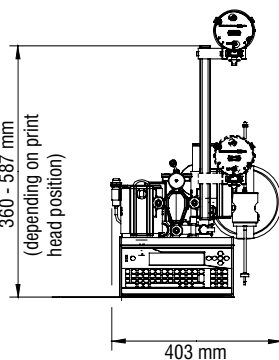
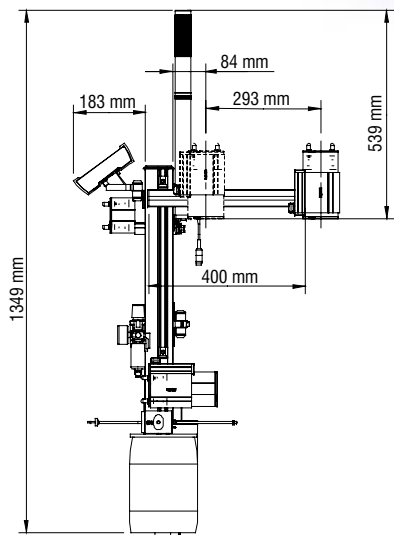
- One button only to activate/deactivate print
- Intuitive operator interface - clear icons with help text
- Graphic 240 x 64 pixel display with backlight
- Interface available in 9 languages (English, French, German, Italian, Japanese, Portuguese, simplified Chinese, Spanish, Swedish)
- Dynamic storage - up to 800 jobs depending on size
- Integrated help for navigation and operation
- Automatic print head detection with hot swap functionality
- Status indication LEDs
- Different inks according to surfaces: water-based (porous), propanol-based (semi-porous) or ethyl acetate-based (non-porous)
- Choice of black and colour inks for various substrates (plain cardboard, coated cardboard, wood, expanded polystyrene, plastic, metal, concrete...)
- Pressurized ink system with 4.5 to 30-liters ink barrels
- 2 RS-232 com ports, COM1 RJ45 and COM2 9 pin D-sub, up to 115200 baud
- LAN (Ethernet), RJ45, 10/100 Mbps
- FTP server for easy back-up and file transfer

Other characteristics

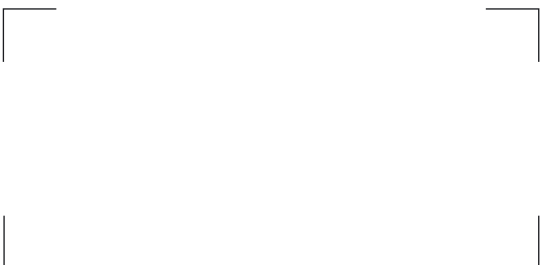
- Weight: 1.55 kg (without ink can)
- Support beam with cable slot
- Operating temperature: +5°C to +40°C (+13°F to +104°F)
- Humidity: 20% to 90%, non-condensing
- Electrical power supply:
or 1 - 2 heads: 100-240 V AC, 50-60 Hz, 1,9 A - Output 24 V DC, 3 A
or 3 - 4 heads: 100-250 V AC, 47-63 Hz, 3 A - Output 24 V DC, 5 A

Accessories

- Status beacon
- Extension arm for extended print head mounting and top/bottom print
- Photo sensor (standard or reflective)
- Air pump unit
- Regulator for compressed air
- Pulse encoder



Due to our policy of continuous improvement, specifications are subject to change without notice.



Imaje S.A.

Head office
9, rue Gaspard Monge
B.P. 110
26501 Bourg-lès-Valence Cedex
France

Tel.: (33) 4 75 75 55 00
Fax: (33) 4 75 82 98 10
<http://www.imaje.com>



A DOVER COMPANY

YOU MAKE IT, WE MARK IT