

# 7031 HD

CO<sub>2</sub> laser coders ■ ■ ■



## Our technology ■ ■ ■

The compact, modular scribing CO<sub>2</sub> laser delivers permanent, high quality product coding (text, variable data). This 30 watt version is ideal to print High Definition (HD) characters in a very wide coding area.

The 7031 HD has been designed to work in the most demanding production environments, especially those requiring multi-head scribing. This high power vector technology is well suited to scribe on foil, like that used for yoghurts and stick packs.

## Your benefits ■ ■ ■

**Performance** – Most advanced scribing galvohead technology allows for excellent print quality in large printing areas (lens 340 x 340 / fd 482), at high output rates (800 products/minute) without requiring external cooling (no air or water). Additional energy density of source results in impeccable higher contrast and resolution codes.

**Uptime** – Modular cooling concept for optimal laser performance, increased laser source reliability and reduced operating costs (no air).

**Modularity** – Innovative modular design consisting of 3 separate components: controller, cable and laser head. Most compact, robust laser head with 90° laser beam orientation and ultra flexible interconnecting cable (6 or 9 meters).

**Simplicity** – Large WYSIWYG color touch screen display with intuitive icons and shortcuts for user-friendly operations. Easy access to safety features like emergency stop button and standard USB port for easy message loading and Ethernet connectivity.

**Versatility** – Wide choice of lenses. Easy positioning onto a single film of numerous messages and control of multiple laser heads with CoLOS® software. Capable of covering coding and scoring applications simultaneously.



markem·imaje

# 7031 HD specifications ■ ■ ■

## Print features ■ ■ ■

- Production line speed (max.): 30 m/min\*
- Marking speed (max): 500 characters/s
- Coding on stationary or moving products
- Number of text lines: No limit
- Character height: 1.5 to 100 mm
- Logos, graphics, one- and two-dimensional barcodes (Datamatrix)
- Set of vectorized fonts, TrueType compatible, extended characters
- Specific fonts for thin material
- Coding area and focal distance (mm, standard): Lens 340 x 340 / fd 482

## Operations ■ ■ ■

- 12" WYSIWYG color touch screen
- QWERTY or AZERTY virtual keyboard
- Navigation via icons including on-line help file
- Message storage capacity of 512 Mb
- Upload and download of messages via USB Flash Drive
- Software update via Compact Flash card
- Quick connect/disconnect of laser head and accessories (photocell, encoder, alarm)
- RS-232/422 connectivity, Ethernet interface, 26 configurable operator I/O (10 inputs / 16 outputs)

## Other characteristics ■ ■ ■

- Head weight: 16.65 kg
- Controller weight: 20 kg
- Interconnecting cable length: 6 m
- Controller: Stainless steel
- Head: Aluminum and FDA coating
- Dust/humidity protection: IP54
- No plant air required for cooling
- Operating temperature range: 5 to 40°C
- Humidity: 10 to 90% non-condensing
- Electrical power supply: 85-265 V with automatic switching; frequency 47/63 Hz
- Power consumption: 6 A; 660 VA

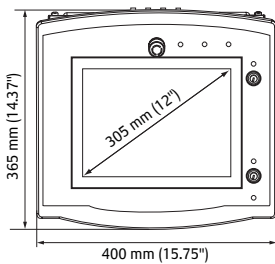
## Accessories ■ ■ ■

- Dust and gas extractor
- Laser head stand
- Lens pressurization kit
- Guarding tunnel
- Photocell
- Encoder
- Alarm beacon (24 V)

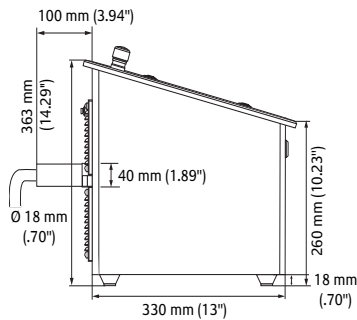
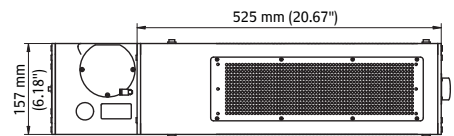
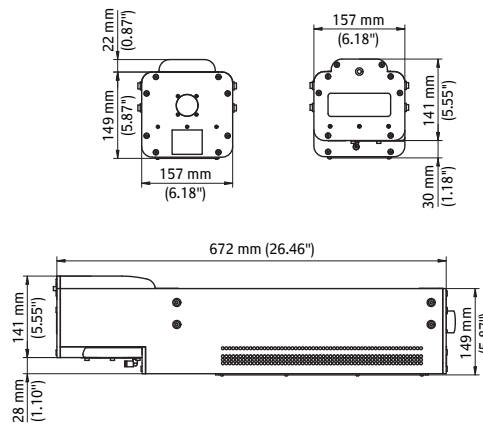
## Options ■ ■ ■

- IP65 head (requires plant air)
- Coding area and focal distance (mm):
  - Lens 50 x 50 / fd 75
  - Lens 70 x 70 / fd 100
  - Lens 105 x 105 / fd 150
  - Lens 140 x 140 / fd 200
  - Lens 155 x 155 / fd 225
  - Lens 280 x 280 / fd 400
  - Lens 415 x 415 / fd 600
- 9-meter interconnecting cable length with an optional 90° orientation
- 6-meter cULus listed interconnecting cable

7031 HD controller



7031 HD laser head



\* Depends on the size and complexity of the message as well as nature of the surface marked

To learn more, visit [www.markem-imaje.com](http://www.markem-imaje.com)



We reserve the right to amend the design and/or specifications of our products without notice.

9, rue Gaspard Monge  
B.P. 110  
26501 Bourg-lès-Valence Cedex - France  
Tel.: +33 (0) 4 75 75 55 00  
Fax: +33 (0) 4 75 82 98 10

150 Congress Street  
Keene, NH 03431  
United States of America  
Tel.: +1 800-258-5356  
Fax: +1 603-357-1835

